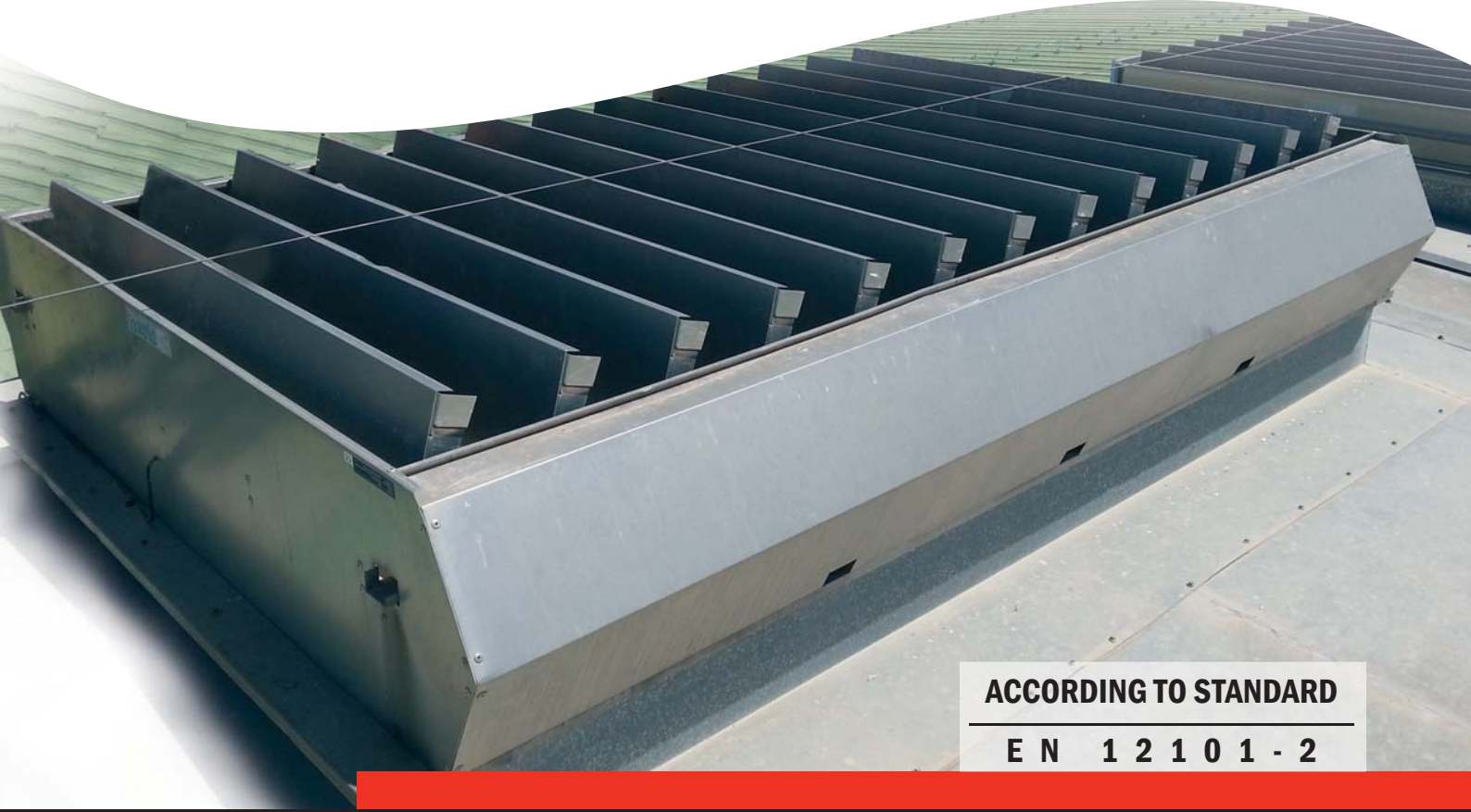


## LOUVERED VENTILATOR FOR SMOKE EXHAUST AND DAILY NATURAL VENTILATION



ACCORDING TO STANDARD

EN 12101-2

### MULTILATERAL LOUVERED VENTILATOR

The **Eura-R** is a variation of the standard Eura and is designed to incorporate rainproof side blades. The **Eura-R** is therefore ideal for all-weather daily natural ventilation.

The **Eura-R** is particularly suitable for smoke and heat evacuation in any weather condition.

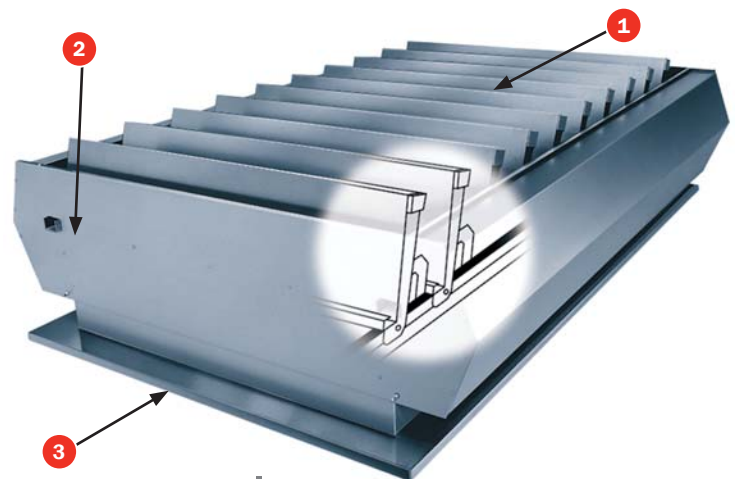
The structure has integrated rain gutters for controlled water drainage. The **Eura-R** can be customized with a variety of base and flange designs.

Applications: industrial buildings, shopping centers, train stations, airports and patios.

### MATERIAL

Aluminium alloy AlMg<sub>3</sub>, resistant to corrosive and marine environments.

The **Eura-R** can be supplied anodized aluminium or lacquered in any RAL colour you require. The **Eura-R** can also be designed to incorporate insulated thermally base and noise-damping wings and bird or insect mesh.



### DESCRIPTION

- 1 Louvers.
- 2 Base.
- 3 Flanges.

### CONTROLS

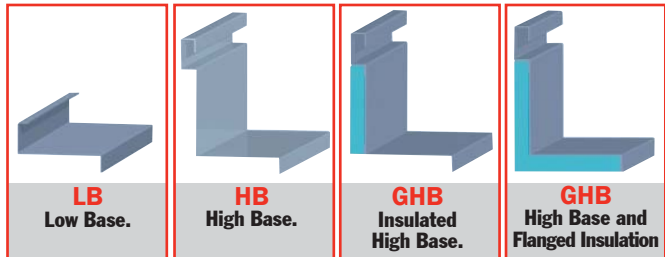
**P** single-action compressed air operation.  
**P2** double-action compressed air operation.  
**M** motor operation  
 Options: **B** including fire function  
**FS** failsafe

# EURA-R

## LOUVERED VENTILATOR FOR SMOKE EXHAUST AND DAILY NATURAL VENTILATION

TYPE	CLEAR WIDTH IN mm				AERODYNAMIC SURFACE (m <sup>2</sup> )		WEIGHT kg
	LB/GHB		HB		LB/GHB	HB	
	A	B	C	D			
060-3	600	720	640	760	0,26	0,29	36
060-5	600	1160	640	1200	0,42	0,46	44
060-7	600	1600	640	1640	0,58	0,63	53
060-9	600	2040	640	2080	0,73	0,80	62
060-11	600	2480	640	2520	0,89	0,98	71
060-13	600	2920	640	2960	1,05	1,14	80
120-4	1200	940	1240	980	0,68	0,73	57
120-6	1200	1380	1240	1420	0,99	1,06	70
120-8	1200	1820	1240	1860	1,31	1,38	83
120-10	1200	2260	1240	2300	1,65	1,74	96
120-12	1200	2700	1240	2740	1,94	2,04	109
180-3	1800	720	1840	760	0,78	0,84	66
180-5	1800	1160	1840	1200	1,25	1,32	84
180-7	1800	1600	1840	1640	1,73	1,84	102
180-9	1800	2040	1840	2080	2,24	2,33	120
180-11	1800	2480	1840	2520	2,72	2,83	138
180-13	1800	2920	1840	2960	3,15	3,27	156

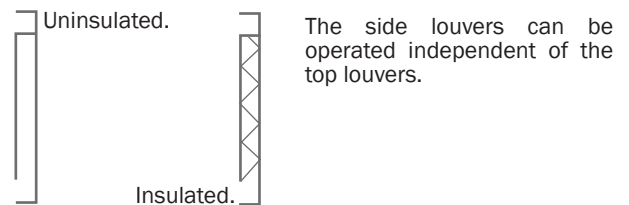
### BASES



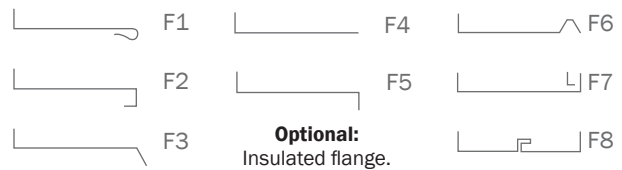
### LOUVERS



### SIDE LOUVERS



### FLANGES



### SECTIONS

