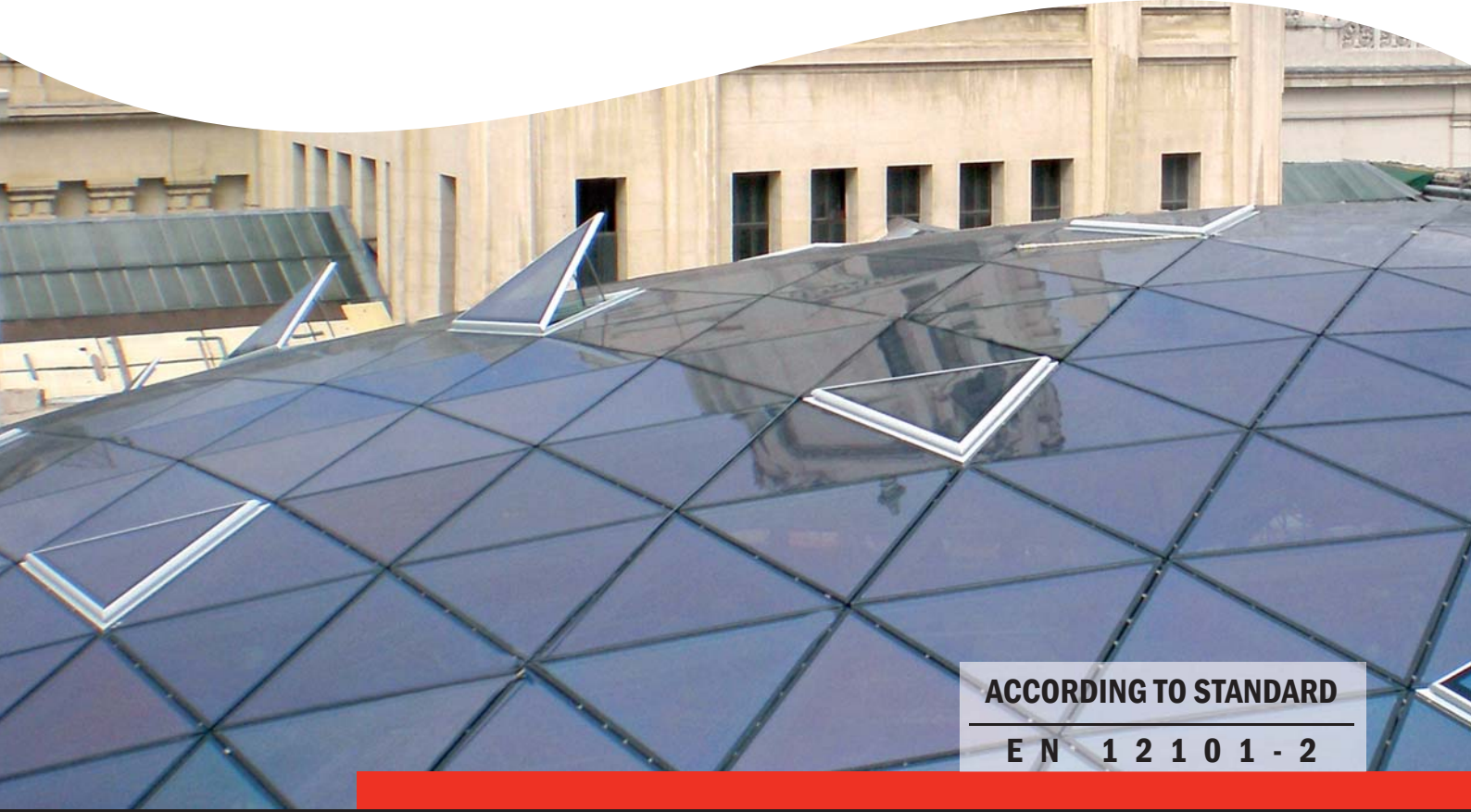


ARCHITECTURAL VENTILATION WINDOW FOR SMOKE EXHAUST AND DAILY NATURAL VENTILATION



ACCORDING TO STANDARD

EN 12101-2

ARCHITECTURAL VENTILATION WINDOW (fire protection)

Like the Luma, the **Lumera** is an architectural ventilation window for high quality natural ventilation.

Lumera is a combination of the Luma and Ventria. This model has slim profiles and controls that are hidden in the frame. The **Lumera** model was especially designed for structural glass roofs with small inclination.

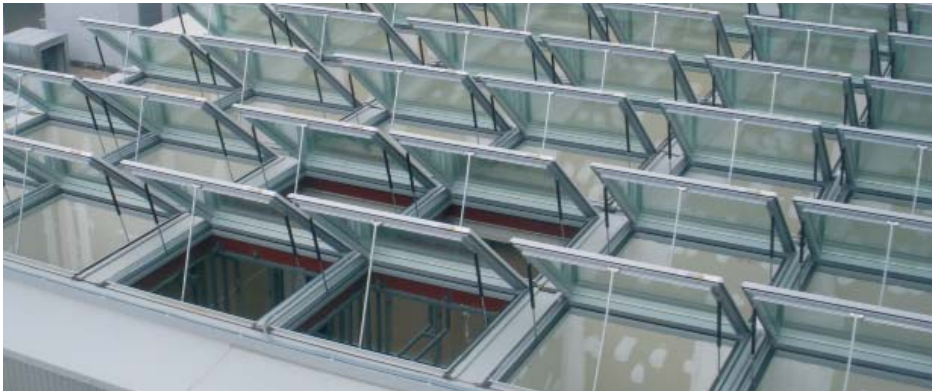


DESCRIPTION

- 1 Frame.
- 2 Opening mechanism.

LUMERA

ARCHITECTURAL VENTILATION WINDOW FOR SMOKE EXHAUST AND DAILY NATURAL VENTILATION



VERSIONS

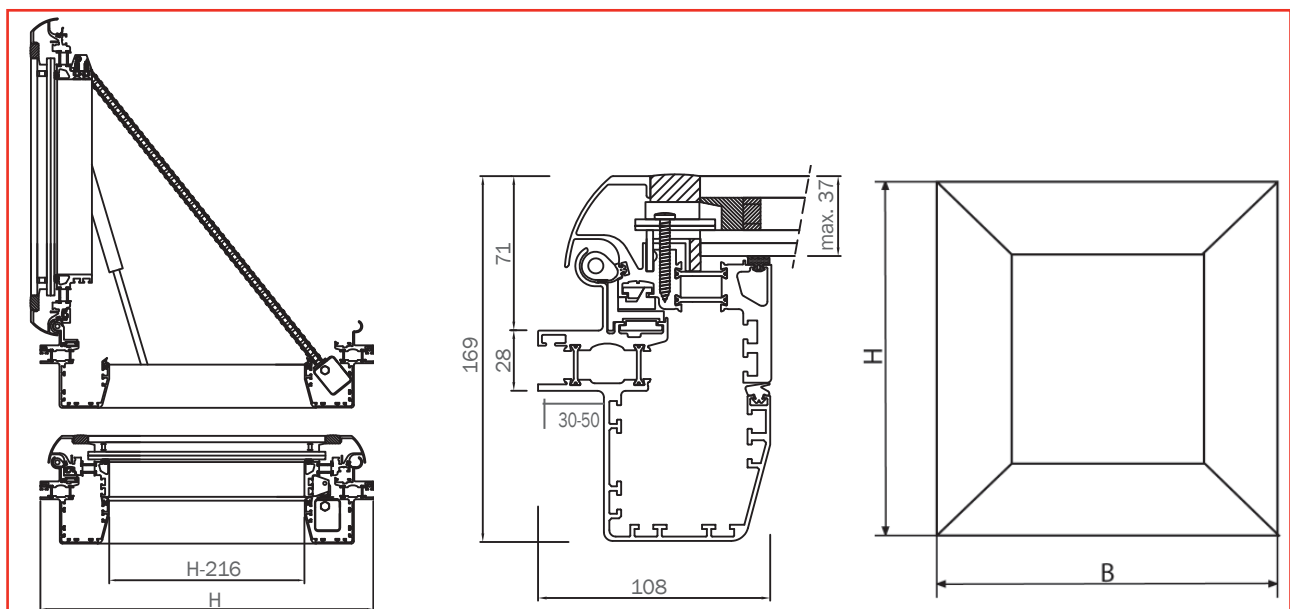
Lumera is a ventilation window for smoke exhaust and natural ventilation which can be mounted at an angle of 0 to 90°. The opening angle of the window in relation to the base is variable up to a maximum of 90°. As a result, **Lumera** model is suitable for both day-to-day ventilation and smoke exhaust. **Lumera** consists of cold bridge-free aluminium profiles ensuring a high insulation value is attained. Although **Lumera** is usually supplied with insulated glass, uninsulated glass (or some alternative panel) is also possible on request. Delivery, installation and sealing of the (glazed) panel can be carried out by third-parties on site.

Examples of this are the concealed controls and the glass fixing, which are not visible from the outside. If required, **Lumera** can be anodized or powder-coated (in any RAL colour).

CONTROLS

To open and close, **Lumera** is fitted with one or two 24 V chain motors. The controls can be designed to be fail-safe using batteries. A 230 V AC control is also possible. Gas springs can also be used to support the motors.

SECTIONS



DESIGNS

Other than in its standard rectangular shape, **Lumera** is also available in triangular or trapezium shapes.

Dimensions and specifications:

- Frame height: 300 to 2.000 mm.
- Frame width: 300 mm to 3.000 mm.
- Maximum panel surface: 3,5 m².
- Maximum glass thickness: 37 mm.
- Glass: fitted with recessed frame.
- Maximum glass weight: 55 kg/m².
- Seals: two double seals around using EPDM rubbers.
- Total profile height: 169 mm.

FLANGES

The standard flange thickness is 28 mm and can be increased as required. There are two standard flange widths, namely 30 mm or 50 mm. Various customer-specific requirements with regard to flanges can be implemented on demand.