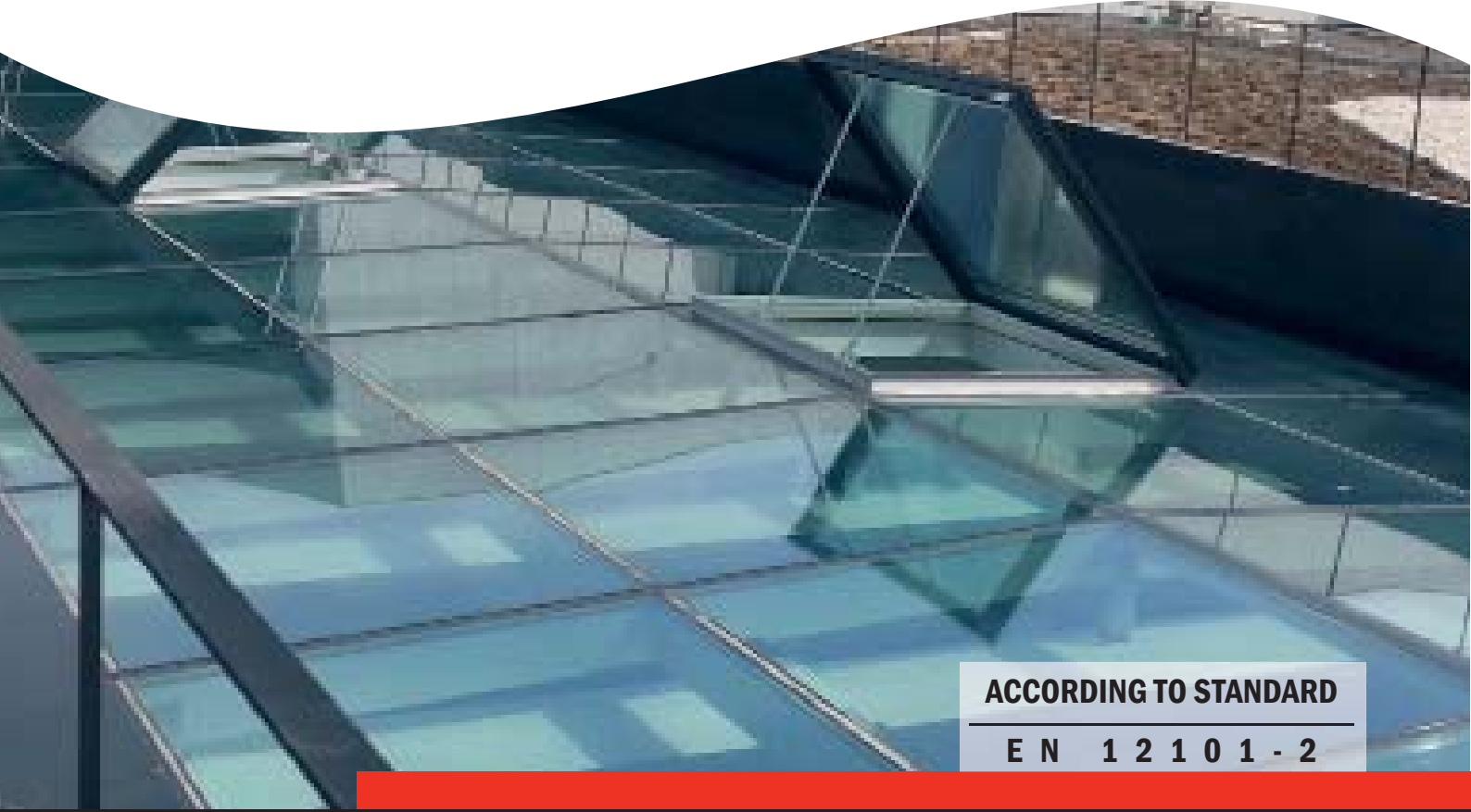


## DECORATIVE VENTILATION WINDOW FOR SMOKE EXHAUST AND DAILY NATURAL VENTILATION



**ACCORDING TO STANDARD**  
**E N 1 2 1 0 1 - 2**

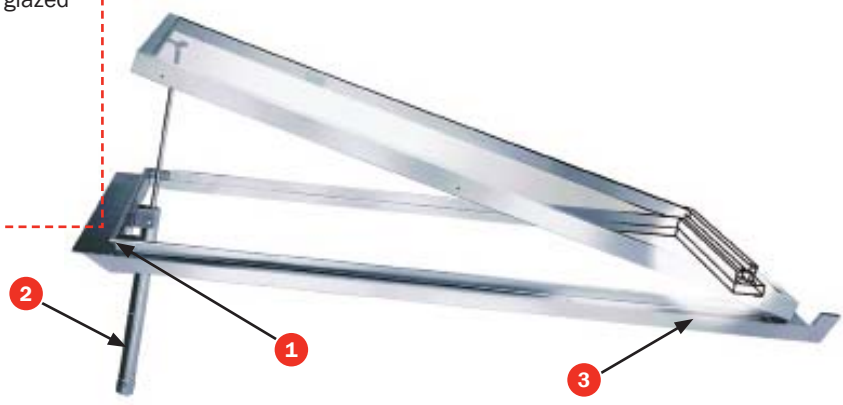
**“ DECORATIVE VENTILATION WINDOW**

This transparent top-hung window **Ventria** is suitable for smoke exhaust and natural daily ventilation in case of fire.

This model, thanks to its attractive external design is often integrated into glazed facades and glazed roofs for air feed and air extraction.

The **Ventria** is available in two versions:

- Ventria O**, uninsulated open.
- Ventria TG**, cold bridge-free.



### DESCRIPTION

- 1 Frame.
- 2 Opening mechanism.
- 3 Louvers.

# VENTRIA

## DECORATIVE VENTILATION WINDOW FOR SMOKE EXHAUST AND DAILY NATURAL VENTILATION



### VERSIONS

The **Ventria**, a ventilation window, can be integrated in glazed roofs and glazed facade. The opening angle of the window in relation to the base structure is variable up to a maximum of 75°. The structure consists of tempered aluminium  $AlMg_3$ , which is sea water and corrosion-resistant. Extruded material made of  $AlMgSi 0,5$ . The frame is sealed with EPDM rubbers to ensure optimal sealing. The **Ventria** can be supplied untreated, anodized or powder-coated in any RAL colour.

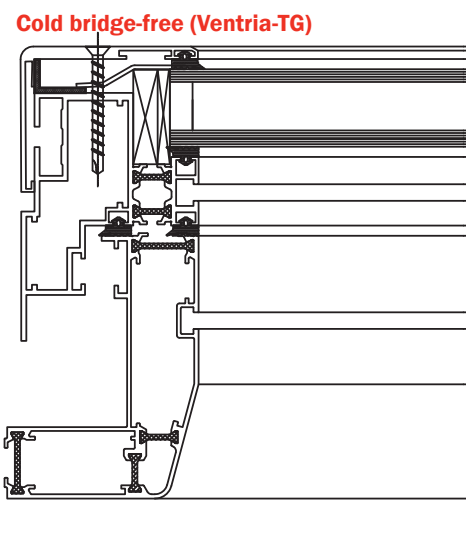
Amongst other things, the following infills can be integrated into the Ventria: single-walled or double-walled aluminium panel, laminated glass, insulated glass, double-walled and triple-walled polycarbonate.

### CONTROLS

Compressed air cylinder  $CO_2$ , control, electric spindle motors or rotary spindle with control block. Opening angle depends on the selected stroke length for the control mechanism, the ventilator weight and dimensions.

### SECTIONS

#### Cold bridge-free (Ventria-TG)



### DESIGNS

Any rectangular shapes are possible as standard with:

- Maximum height: 2.700 mm.
- Maximum width: 2.000 mm.
- Maximum panel surface: 3,5 m<sup>2</sup>.
- Maximum weight of the panel: 35 kg/m<sup>2</sup>.

Alternative dimensions, panels and shapes can be supplied on demand.

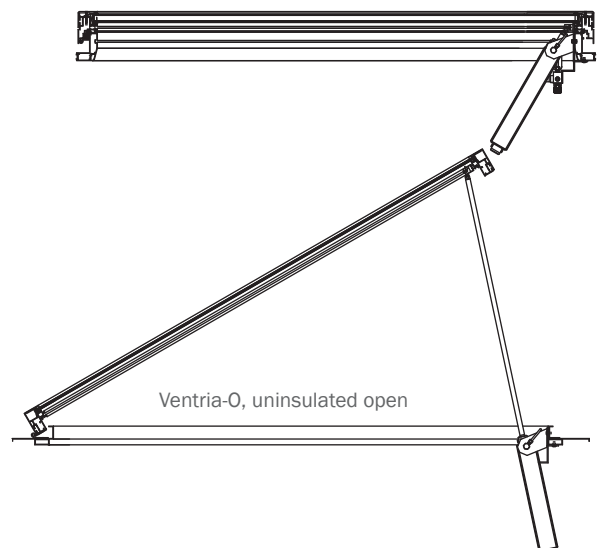
Weight depends on dimensioning and panel.

### FLANGES (VENTRIA-0)



**Optional:**  
Insulated flanges.

Ventria-TG, cold bridge-free



Ventria-0, uninsulated open