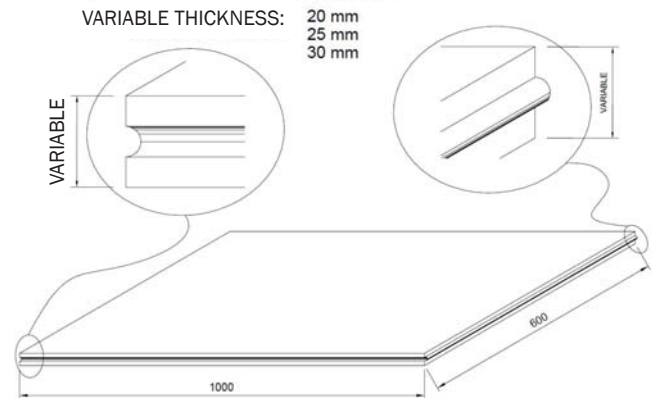




FIBRO-REINFORCED PLASTER **TECBOR® Y BOARD**



## DESCRIPTION

Pre-fabricated board composed of fibro-reinforced plaster panel with tongue-and-groove joints on the sides, to be mounted on a metal structure.

## TESTS

Product certified in accordance with statutory requirements under standards **UNE EN ISO standards 140-3** and **UNE EN ISO 13501-2**.

Boards subject to routine quality control tests at the production plant, according to standard **EN 12859..**

## FIELDS OF APPLICATION

Dry construction system for indoor projects:

- ·Partition walls.
- ·Suspended ceilings.

Suitable for:

- ·Newly-built or rehabilitated housing
- ·Schools, hospitals, retail and industrial buildings, offices, etc.

## ADVANTAGES

- High fire resistance.
- High impact resistance.
- Flexibility during construction, can adapt to any type of project, especially rehabilitation work.
- The tongue-and-groove joints allow for a perfect finish without any need to use finishing tape on the joints.
- The visible face comes with a ready-to-paint finish
- Effective sound insulation (see noise insulation tests).

## HEALTH AND SAFETY

The following considerations should be taken into account when handling **Panel Tecbor® Y**

- Safety gloves are recommended to protect hands.
- Respect all usual health and safety measures.

For further information, please see the safety data sheet accompanying the product.

## TECHNICAL CHARACTERISTICS AND SPECIFICATIONS

Colour of visible face	White
Colour of concealed face	White
Type of longitudinal edge	Tongue-and-groove
Type of side edge	Tongue-and-groove
Thickness	25 mm
Dimensions	600 x 1.010 mm
Fire resistance	EI 120 to EI 180, in compliance with standard UNE-EN 13501
Reaction to fire	A1
Impact resistance	Tested to standard UN 8201, with 50 Kg soft body
Density	864 Kg/m <sup>3</sup>
Thermal Resistance	0,083 m <sup>2</sup> K/W

ESPECIFICACIONES	TECBOR® Y
Composition	Gypsum plaster reinforced with fibreglass and other additives.
Thickness(e) (mm)	25 ±0,5
Length (L) (mm)	1.010 ± 1 mm
Width (A) (mm)	600 ± 1 mm
Approx. weight (Kg/m <sup>3</sup> )	850
Thermal Conductivity (W/mk)	0,2
Bending fracture (N) (lengthways/sideways)	25 mm
	Lengthways: 1050 Sideways: 800
Moisture Content	< 5%
Alkalinity pH	8,2
Water vapour resistance (μ)	10
Straightness of edges	Level I < 0,1%
Organic matter content	< 0,5 % Inorganic
Dimensional stability	< 0,3 %
Mechanical resistance to bonding	1 KN fail

## FORMAT

PALLET OF 25 mm THICK PANELS	
Board size	25 x 600 x 1.010 mm
Total height	129 +/- 1 cm (including wooden pallet)
Length	101 cm
Depth	60 cm
Board weight	12,9 Kg
45 boards per pallet	27 m <sup>2</sup>

**Nota\*** the wooden pallet measures: **13 cm in height; 105 cm in length and 65 cm in width.**

*This data sheet may be updated without prior notice. The latest version is always valid.*